

# UF SERIES

universal floodlighting



Form and Function in Floodlighting

  
**ExcelLine**<sup>®</sup>

## A Truly Universal Flood Light

The UF Series is designed and engineered as an all-inclusive universal luminaire adaptable to many lighting functions and uses. It differs from traditional flood-type fixtures because it is offered in five distinct sizes ranging from the miniature UF1 with electronic ballast to the highly effective UF5 with 1,500 watts of lighting power.

From an architectural perspective, the UF Series opens new opportunities for effective illumination while maintaining site uniformity. The same style fixture used for sign illumination can now be used for wall washing, area lighting as well as flag pole and security. The contoured shape of the UF Series makes it a good choice for locations where appearance is paramount.



## IP65 Rated for Expanded Operation

The UF Series can be safely installed in locations subject to greater degrees of water velocity, expanding its usage. It is also totally protected against dust and particulate material ensuring optimum performance. Advancements in gasketing and fixture design make it superior to other flood fixtures.

## Places Light Exactly Where You Need It

With the UF Series, you will have greater control of the quantity and placement of light. Reflector systems include wide, cutoff or spot reflectors for precise lighting control, and fixtures can be pole, wall or ground mounted with provisions for accurate aiming.

The UF also takes advantage of advances in ballast technology. Electronic ballasts allow for a smaller housing design with operational benefits of increased lamp life, energy efficiency and low noise.



# Typical Applications

Facade Lighting



Flag Lighting



Sign Lighting



Site and Area Lighting



Security Lighting



## UF1 Mini Flood

The Model UF1 is the smallest of the UF Series and provides excellent illumination through a T4 metal halide lamp source. It utilizes an electronic ballast for excellent operational characteristics, delivering optimum quality illumination at higher efficiencies. The compact UF1 is excellent for signage, landscaping and small area illumination.



**Source:**  
T4 Electronic Metal Halide

**Wattage Range:**  
20w – 70w

**Distribution:**  
General purpose,  
asymmetric, spot

**NEMA Spread:**  
70w MA Asymmetric:  
6H x 6V  
70w MA Spot:  
4H x 3V  
70w MA General Purpose:  
7H x 6V

**Mounting:**  
½" Arm (IP65 and UL)

**EPA:**  
0.22 sq. ft.



### Distributions



Asymmetric

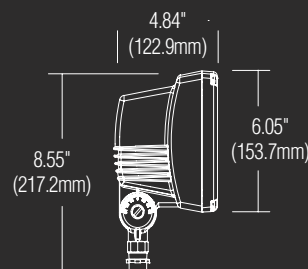
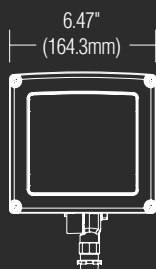


General Purpose



Spot

### Dimensions



## UF2 Small Flood

The Model UF2 is ideal for detail lighting, filling a critical void between small and medium-sized luminaires. It's available with 1/2" arm for medium-duty lighting such as wall washing and accenting. The thin profile allows the fixture to be inconspicuous while satisfying critical lighting requirements.



**Source:**  
MA, NLX, LX

**Wattage Range:**  
50w – 175w

**Distribution:**  
General purpose,  
cutoff, spot

**NEMA Spread:**  
175w MA Cutoff:  
6H x 5V  
175w MA Spot:  
2H x 3V  
175w MA General Purpose:  
7H x 7V

**Mounting:**  
1/2" Arm (IP65 and UL)

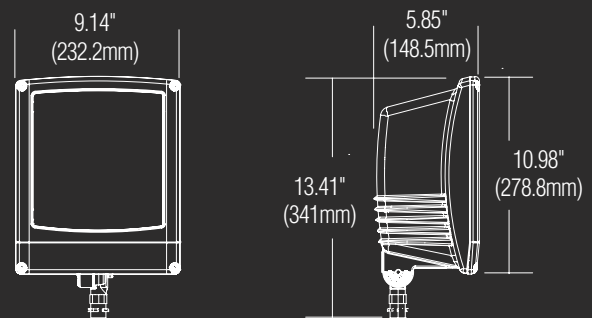
**EPA:**  
0.55 sq. ft.



### Distributions



### Dimensions



## UF3 Medium Flood

The Model UF3 offers the greatest selection of wattages and lamp sources. Because it is medium in size and slightly narrower than the UF4, it is an excellent choice for general purpose flood lighting. It is available in an IP65 rated trunnion mount and can be used interchangeably for ground, wall or pole mounting.



**Source:**  
MA, LX, PMA

**Wattage Range:**  
70w – 400w

**Distribution:**  
General purpose, cutoff

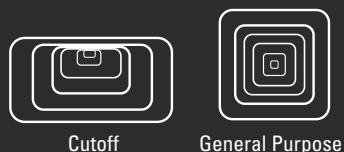
**NEMA Spread:**  
400w MA Cutoff:  
7H x 6V  
400w MA General Purpose:  
6H x 6V

**Mounting:**  
Trunnion (IP65 and UL)  
and Slipfitter (UL)

**EPA:**  
1.00 sq. ft.

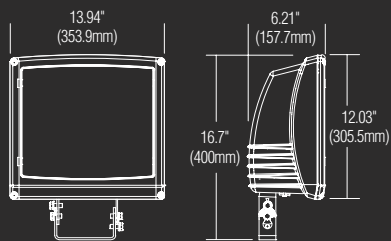


### Distributions

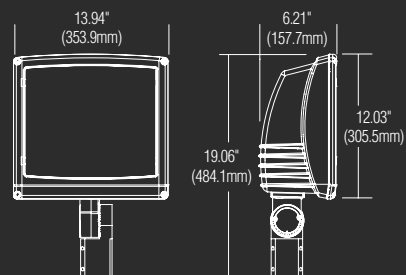


### Dimensions

#### Trunnion Mount



#### Tenon Mount



## UF4 Large Flood

The Model UF4 with its slightly larger size provides up to 400 watts for large sign illumination, security lighting and parking areas. Because it is available with general purpose, spot and cutoff optics, it makes an ideal universal luminaire that can be used interchangeably in ground, wall or pole installations.



**Source:**  
MA, LX, PMA

**Wattage Range:**  
150w – 400w

**Distribution:**  
General purpose,  
cutoff, spot

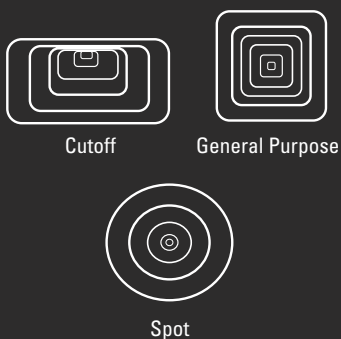
**NEMA Spread:**  
400w MA Cutoff:  
7H x 6V  
400w MA Spot:  
2H x 3V  
400w MA General Purpose:  
6H x 6V

**Mounting:**  
Trunnion (IP65 and UL)  
and Slipfitter (UL)

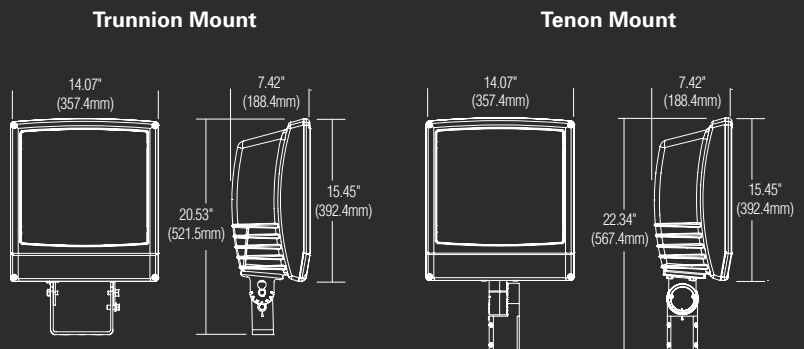
**EPA:**  
1.20 sq. ft.



### Distributions



### Dimensions



## UF5 X-Large Flood

The Model UF5 illuminates the largest area of the UF Series and is for use where maximum visibility is critical. It is designed for wall washing and building illumination and can be used for area lighting from large poles. The heavy cast construction and finned construction offer excellent heat removal for long ballast life.



**Source:**  
MA, LX

**Wattage Range:**  
1,000w – 1,500w

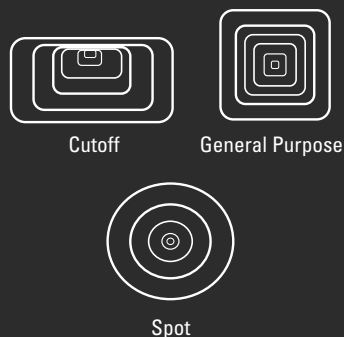
**Distribution:**  
General purpose,  
cutoff, spot

**NEMA Spread:**  
1000w MA Cutoff:  
7H x 6V  
1000w MA Spot:  
3H x 4V  
1000w MA General Purpose:  
6H x 6V

**Mounting:**  
Trunnion (IP65 and UL)  
and Slipfitter (UL)

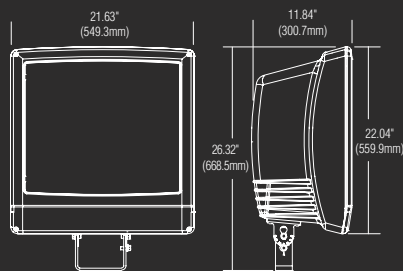
**EPA:**  
2.63 sq. ft.

### Distributions

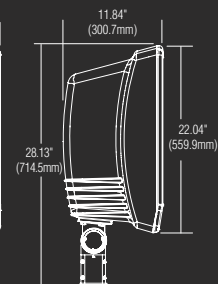


### Dimensions

#### Trunnion Mount



#### Tenon Mount



## Features and Benefits

The UF Series luminaire is ruggedly built using durable components for long life and dependable operation. The sleek design includes fins for heat dissipation and easy access when periodic maintenance is required.

- 
- Stylish housing design
  - Five sizes for site continuity
  - Durable die cast aluminum
  - Energy efficient HID
  - Computer-designed optics
  - Choice of wide, cutoff or spot optics
  - Available in sizes 20 watts to 1500 watts
  - Weather resistant Duraplex II polyester powder finish
  - Custom-designed stainless steel captive screws for easy maintenance
  - Available with vandal shields, wire guards and glare shields
  - IP65 Rated for extra protection against the elements: water, dust and debris
  - Published 5-year warranty
  - Keyhole slots on trunnion facilitate mounting
  - Mounting options for poles, walls and ground/flood are available

## Mounting Options and Accessories

### Optional Mounting Systems

Multiple mounting options are available for a variety of installations. All mounting hardware has been designed for ease of installation and provides maximum flexibility for various floodlighting situations. For ease of aiming, the flood light luminaire mounting hardware includes a built-in degree scale.



#### Arm Mount

1/2" arm with adjustable aiming. Includes a handy degree indicator for exact light placement.



#### Trunnion Mount

Yoke with adjustable aiming. Includes a handy degree indicator for exact light placement.



#### Wall Mount

Mounts easily to wall boxes. Sturdy construction. Includes adjustable aiming. Order SLW10P accessory to convert 1/2" arm to wall mounting.



#### Tenon Mount

Designed for use with large fixtures. Mounts to 2-3/8" tenon.

### Accessories

UF Series options and accessories have been specifically designed to precisely match application requirements or for performance enhancements. The series can be equipped with visors for sharp cutoff to control glare. Guards or shields are available to protect the luminaire from damage due to vandalism.



#### Visor

Eliminates glare for reduced side and top visibility



#### Wire Guard

Protects lens and reflector from damage



#### Vandal Shield

Protects lens and reflector from vandalism

(not available on GP5)

## Ordering Information

Series	Size	Mounting	Wattage	Source	Options	Voltage
<b>UF</b>	<b>1= Mini</b>	<b>A= Arm (IP65 and UL)</b>	<b>020= 20w</b> <b>039= 39w</b> <b>070= 70w</b>	<b>TE</b>	<b>See Below</b>	<b>1= 120v</b> <b>6= 120v, 277v</b> <b>8= 120v-277v</b>
<b>UF</b>	<b>2= Small</b>	<b>A= Arm (IP65 and UL)</b>	<b>050= 50w</b> <b>070= 70w</b> <b>100= 100w</b> <b>150= 150w</b> <b>175= 175w<sup>1</sup></b>	<b>MA</b> <b>NLX<sup>2</sup></b> <b>LX<sup>3</sup></b> <b>PMA<sup>3</sup></b>	<b>See Below</b>	<b>1= 120v</b> <b>6= 120v, 277v</b> <b>8= 120v-277v</b>
<sup>1</sup> MA (175w) <sup>2</sup> NLX (50w-150w) available in 120v only <sup>3</sup> LX and PMA (50w-150w)						
<b>UF</b>	<b>3= Medium</b>	<b>T= Trunnion (IP65 and UL)</b> <b>S= Slipfitter (UL)</b>	<b>200= 200w</b> <b>250= 250w</b> <b>320= 320w</b> <b>350= 350w</b> <b>400= 400w</b>	<b>MA<sup>1</sup></b> <b>LX<sup>1</sup></b> <b>PMA<sup>2</sup></b>	<b>See Below</b>	<b>5= 480v</b> <b>8= 120v-277v</b>
<sup>1</sup> MA and LX (250w, 400w) <sup>2</sup> PMA (200w, 250w, 320w, 350w, 400w)						
<b>UF</b>	<b>4= Large</b>	<b>T= Trunnion (IP65 and UL)</b> <b>S= Slipfitter (UL)</b>	<b>150= 150w</b> <b>175= 175w</b> <b>200= 200w</b> <b>250= 250w</b> <b>320= 320w</b> <b>350= 350w</b> <b>400= 400w</b>	<b>MA<sup>1</sup></b> <b>LX<sup>2</sup></b> <b>PMA<sup>3</sup></b>	<b>See Below</b>	<b>5= 480v</b> <b>8= 120v-277v</b>
<sup>1</sup> MA (175w, 250w, 400w) <sup>2</sup> LX (150w, 250w, 400w) <sup>3</sup> PMA (200w, 250w, 320w, 350w, 400w)						
<b>UF</b>	<b>5= XLarge</b>	<b>T= Trunnion (IP65 and UL)</b> <b>S= Slipfitter (UL)</b>	<b>1000= 1000w</b> <b>1500= 1500w</b>	<b>MA<sup>1</sup></b> <b>LX<sup>2</sup></b>	<b>See Below</b>	<b>5= 480v</b> <b>8= 120v-277v</b>
<sup>1</sup> MA (1000w, 1500w) <sup>2</sup> LX (1000w)						

### Code Explanations:

**UF=** Universal Flood  
**A=** 1/2" Arm (IP65 and UL)  
**T=** Trunnion (IP65 and UL)  
**S=** 2-3/8" Tenon Slipfitter (UL)  
**TE=** T4 Electronic Metal Halide  
**NLX=** NPF High Pressure Sodium  
**LX=** HX-HPF or CWA High Pressure Sodium  
**MA=** CWA Metal Halide  
**PMA=** HX-HPF PS Metal Halide

### Options:

**L=** Lamped  
**BLANK =** General Purpose Optics  
**A=** Asymmetric Optics (UF1 only)  
**C=** Cutoff Optics (not available on UF1)  
**S=** Spot (not available for UF3)  
**PCB=** Button Photo Control \*  
**TLR=** Twist Lock Receptacle with Shorting Cap\*  
**TRP=** Twist Lock Receptacle with Photo Control\*  
**FS=** Fusing\*

\* Not available on sizes 1 and 2

### Accessories:

**GP\_GS\*=** Visor  
**GP\_WG\*=** Wire Guard  
**GP\_VS\*=** Vandal Shield (GP\_VS not available on UF5)  
 \* Replace "underscore" with fixture size - Example: **UF1GS**  
**SLW10P=** Wall mount adapter to convert UF1 and UF2 style fixtures. Complete with built-in splice box and knock-out for button photo control

## Other Fine ExceLine Products



### GeoMatrixx®

ExceLine's GeoMatrixx is the ultimate in exterior lighting versatility. It is the perfect blend of performance, flexibility and architectural design. The GeoMatrixx is three fixtures in one - a high-performance cutoff luminaire, an attractive flood light and an architectural wall-pack in a single unit.

Visit [www.geomatrixx.com](http://www.geomatrixx.com) for more information.

### Kaleidoshade 2™

The Kaleidoshade 2 Series brings together all of the changes and innovations desired by the lighting industry for many years. ExceLine has simplified this classic luminaire by completely redesigning it from the socket out, creating a fixture that is visually impressive but also easy to specify and install. Available in round and linear models.

Visit [www.kaleidoshade2.com](http://www.kaleidoshade2.com) for details.



### ProTector™

ExceLine has taken the lead in the lighting industry by developing the first comprehensive standard for addressing intentional vandalism of outdoor lighting fixtures. From this has emerged the ProTector, the first truly vandal-resistant luminaire strong enough to take a violent assault without affecting performance.

Visit [www.protectorseries.com](http://www.protectorseries.com) for the complete product line.



2345 Vauxhall Road • P.O. Box 129 • Union, NJ 07083  
908-964-7000 • Fax: 908-688-1388

[www.ufflood.com](http://www.ufflood.com)  
[www.exceline.com](http://www.exceline.com)