

Type No. _____

Catalog No. _____

Job. Name _____

UF™ Series

UF2 Small Architectural Flood

APPLICATIONS

- The UF Series is an architectural floodlight luminaire designed as a series of five distinctly sized fixtures for general purpose flood and spot illumination
- Applications include security, area, accent, facade, recreational fields, flagpole, sign lighting and landscape lighting

CONSTRUCTION

- Precision die-cast aluminum construction body
- One-piece die-cast hinged aluminum door
- Lens screws are specially designed captive stainless steel screws
- Duraplex II dark bronze polyester powder finish is standard
- Available in a variety of designer colors (consult factory)
- Extruded silicone gasket
- Available with vandal shields, wire guards and glare shields



ELECTRICAL

- Metal halide, pulse start or high pressure sodium source with magnetic ballast
- Integral heat sink ensures cool operation
- ED17 lamps for metal halide and B17 lamps for high pressure sodium

OPTICS

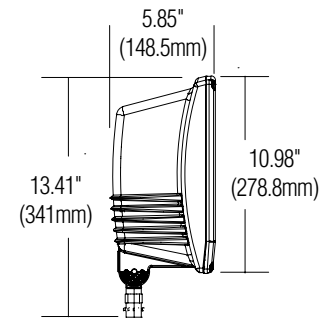
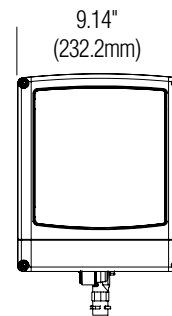
- General purpose, spot and cutoff optical distribution. Specify with correct option code listed on back page.
- Hinged door frame with clear tempered glass lens
- Hydro-formed reflector system provides uniform distribution

MOUNTING

- 1/2" arm with serrated teeth lock arm mount unit into position
- Adjustable tennon for medium-duty installations
- The UF Series can be angled for indirect/accent lighting
- Unit can be aimed above or below horizontal
- Low EPA rating of 0.55 sq. ft.

WARRANTY/LISTINGS

- IP65 Rated for extra protection against water, dust and debris
- UL wet location listed for above- or below-horizontal aiming
- Published 5-year limited warranty
- Suitable for ground mounting



Ordering Guide Example: UF2A175MAL-6

UF	2	A	175	MA		—	6
						—	

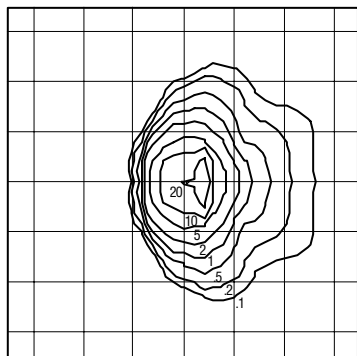
Series	Size	Mounting	Wattage	Lamp Source	Options	Voltage
UF	2=Small	A=1/2" Arm (IP65 & UL)	050=50w 070=70w 100=100w 150=150w 175=175w ¹	MA=Metal Halide (CWA) (175w) NLX=High Pressure Sodium (NPF) ² LX=High Pressure Sodium (HX-HPF or CWA) PMA=Pulse Start Metal Halide (HX-HPF) (50w-150w)	See Back Page for Distribution Options	1=120v 6=120v, 277v 8=120v - 277v

¹ MA metal halide only
² NLX available in 120v only

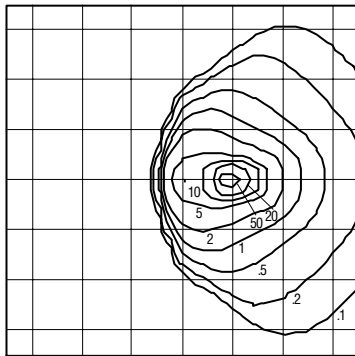


IP65 Rated

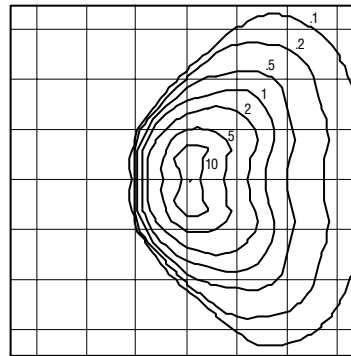
PHOTOMETRIC DATA



UF2
Cutoff Optics
175w Metal Halide
Mounting Height: 15 ft. - Tilt: 30°
Lumens: 14000
NEMA: 6H x 5V



UF2
Spot Optics
175w Metal Halide
Mounting Height: 15 ft. - Tilt: 45°
Lumens: 14000
NEMA: 2H x 3V



UF2
General Purpose Optics
175w Metal Halide
Mounting Height: 15 ft. - 30°
Lumens: 14000
NEMA: 7H x 7V

CONVERSION DATA

Mounting Height		Wattage	
10	2.25	50	0.24
12	1.56	70	0.40
15	1	100	0.51
20	0.56	150	0.96
		175	1

OPTIONS & ACCESSORIES

Options

- L=** Lamped
- BLANK=** General-Purpose Reflector
- C=** Cutoff Reflector
- S=** Spot Reflector

Accessories

- GP2GS=** Visor
- GP2WG=** Wire Guard
- GP2VS=** Vandal Shield
- SLW10P=** Wall mount adapter to convert UF2 luminaires. Complete with built-in splice box and knock-out for button photo control



2345 Vauxhall Road - P.O. Box 129
Union, NJ 07083
800-334-2212
www.exceline.com - www.ufflood.com