

Type No. \_\_\_\_\_

Catalog No. \_\_\_\_\_

Job. Name \_\_\_\_\_

# UF™ Series

## UF3 Medium Architectural Flood

### APPLICATIONS

- The UF Series is an architectural floodlight luminaire designed as a series of five distinctly sized fixtures for general purpose flood and spot illumination
- Applications include security, area, accent, facade, recreational fields, flagpole, sign lighting and landscape lighting

### CONSTRUCTION

- Precision die-cast aluminum construction body
- One-piece die-cast hinged aluminum door
- Lens screws are specially designed captive stainless steel screws
- Duraplex II dark bronze polyester powder finish is standard
- Available in a variety of designer colors (consult factory)
- Extruded silicone gasket
- Available with vandal shields, wire guards and glare shields



### ELECTRICAL

- Metal halide, pulse start or high pressure sodium source with magnetic ballast
- Integral heat sink ensures cool operation
- ED28 lamps for metal halide and ED18 lamps for high pressure sodium

### OPTICS

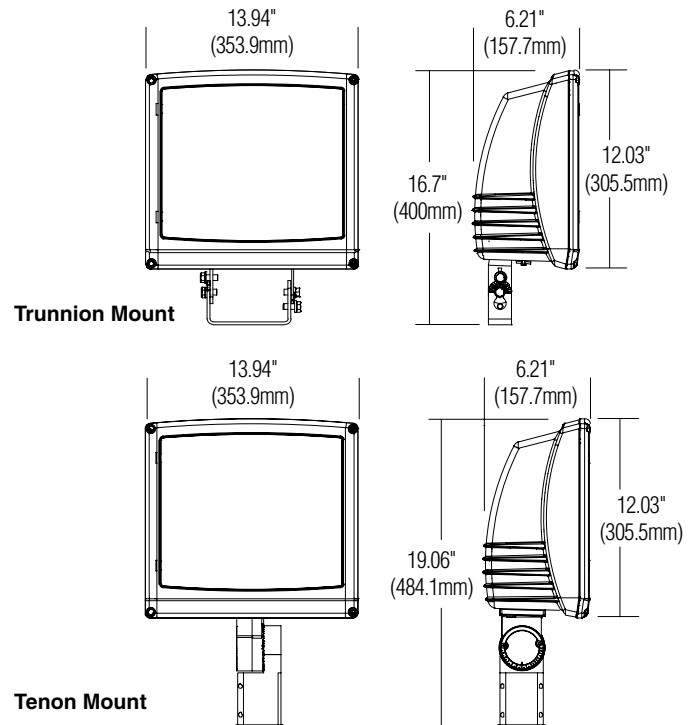
- General purpose and cutoff optical distribution. Specify with correct option code listed on back page.
- Hinged door frame with clear tempered glass lens
- Hydro-formed reflector system provides uniform distribution

### MOUNTING

- Available with trunnion (IP65 and UL) and slipfitter (UL) mounting (consult factory for IP65 slipfitter)
- The UF Series can be angled for indirect/accent lighting
- Unit can be aimed above or below horizontal
- Low EPA rating of 1.0 sq. ft.

### WARRANTY/LISTINGS

- IP65 Rated (trunnion mount only) for extra protection against water, dust and debris
- UL wet location listed for above- or below-horizontal aiming
- Published 5-year limited warranty
- Suitable for ground mounting



### Ordering Guide Example: UF3T200PMA-L-8

UF	3	T	200	PMA		—	8
						—	

Series	Size	Mounting	Wattage	Lamp Source	Options	Voltage
UF	3=Medium	T=Trunnion (IP65 & UL) S=2-3/8" Tenon Slipfitter (UL)	200=200w 250=250w 320=320w 350=350w 400=400w	MA=Metal Halide (CWA) <sup>1</sup> LX=High Pressure Sodium <sup>2</sup> (HX-HPF or CWA) PMA=Pulse Start Metal Halide <sup>3</sup> (HX-HPF)	See Back Page for Distribution and other Options	5=480v 8=120v - 277v

<sup>1</sup> MA (250w, 400w)

<sup>2</sup> LX (250w, 400w)

<sup>3</sup> PMA (200w, 250w, 320w, 350w, 400w)

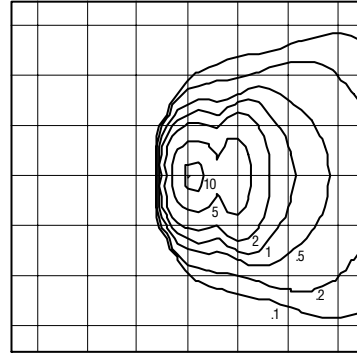
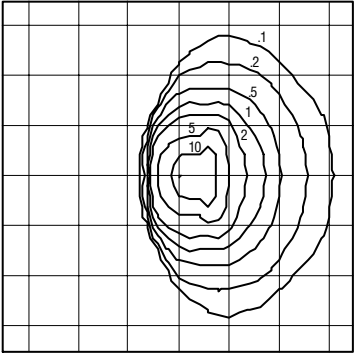


IP65 Rated

# UF™ Series

## UF3 Medium Architectural Flood

### PHOTOMETRIC DATA



**UF3**  
Cutoff Optics  
400w Metal Halide  
Mounting Height: 25 ft. - 45°  
Lumens: 36000  
NEMA: 7H x 6V

**UF3**  
General Purpose Optics  
400w Metal Halide  
Mounting Height: 25 ft. - 45°  
Lumens: 36000  
NEMA: 6H x 6V

### CONVERSION DATA

Mounting Height		Wattage (MH)	
20	1.56	250	0.69
25	1	400	1
30	0.69		

### OPTIONS & ACCESSORIES

#### Options

- L= Lamped
- BLANK**= General-Purpose Reflector
- C= Cutoff Reflector
- PCB= Button Photo Control
- TLR= Twist Lock Receptacle with Shorting Cap
- TLP= Twist Lock Receptacle with Photo Control
- FS= Fusing

#### Accessories

- GP3GS= Visor
- GP3WG= Wire Guard
- GP3VS= Vandal Shield



2345 Vauxhall Road - P.O. Box 129  
Union, NJ 07083  
800-334-2212  
www.exceline.com - www.ufflood.com

ExcelLine is a Philips group brand

Product information is subject to change without notice

