

Type No. _____

Catalog No. _____

Job. Name _____

UF™ Series

UF4 Large Architectural Flood

APPLICATIONS

- The UF Series is an architectural floodlight luminaire designed as a series of five distinctly sized fixtures for general purpose flood and spot illumination
- Applications include security, area, accent, facade, recreational fields, flagpole, sign lighting and landscape lighting

CONSTRUCTION

- Precision die-cast aluminum construction body
- One-piece die-cast hinged aluminum door
- Lens screws are specially designed captive stainless steel screws
- Duraplex II dark bronze polyester powder finish is standard
- Available in a variety of designer colors (consult factory)
- Extruded silicone gasket
- Available with vandal shields, wire guards and glare shields



ELECTRICAL

- Metal halide, pulse start or high pressure sodium source with magnetic ballast
- Integral heat sink ensures cool operation
- ED28 lamps for metal halide and ED18 lamps for high pressure sodium

OPTICS

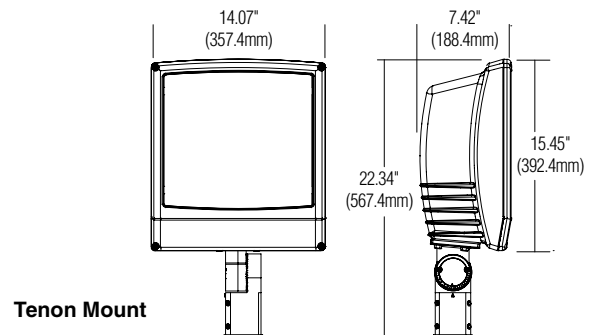
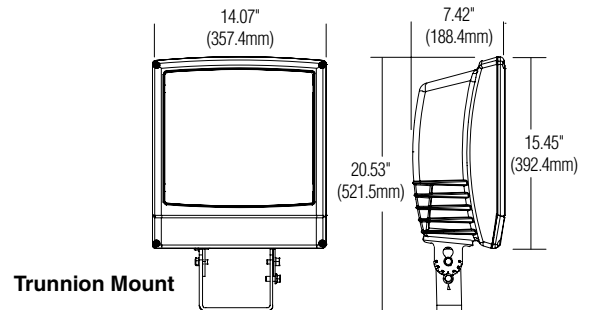
- General purpose, spot and cut-off optical distribution. Specify with correct option code listed on back page.
- Hinged door frame with clear tempered glass lens
- Hydro-formed reflector system provides uniform distribution

MOUNTING

- Available with trunnion (IP65 and UL) and slipfitter (UL) mounting (consult factory for IP65 slipfitter)
- The UF Series can be angled for indirect/accent lighting
- Unit can be aimed above or below horizontal
- Low EPA rating of 1.20 sq. ft.

WARRANTY/LISTINGS

- IP65 Rated (trunnion mount only) for extra protection against water, dust and debris
- UL wet location listed for above- or below-horizontal aiming
- Published 5-year limited warranty
- Suitable for ground mounting



Ordering Guide Example: UF4T200MAL-5

| | | | | | | | |
|----|---|---|-----|----|--|---|---|
| UF | 4 | T | 200 | MA | | — | 5 |
| | | | | | | — | |

| Series | Size | Mounting | Wattage | Lamp Source | Options | Voltage |
|--------|---------|--|--|--|--|-------------------------|
| UF | 4=Large | T=Trunnion (IP65 & UL) S=2-3/8" Tenon Slipfitter (UL) | 150=150w 175=175w 200=200w 250=250w 320=320w 350=350w 400=400w | MA=Metal Halide (CWA) ¹ LX=High Pressure Sodium ² (HX-HPF or CWA) PMA=Pulse Start Metal Halide ³ (HX-HPF) | See Back Page for Distribution and other Options | 5=480v 8=120v - 277v |

¹ MA (175w, 250w, 400w)

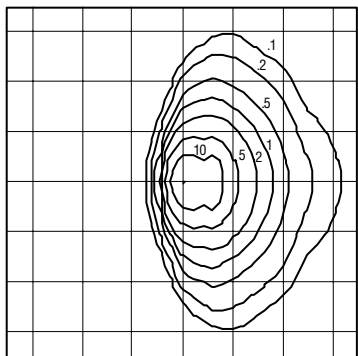
² LX (150w, 250w, 400w)

³ PMA (200w, 250w, 320w, 350w, 400w)

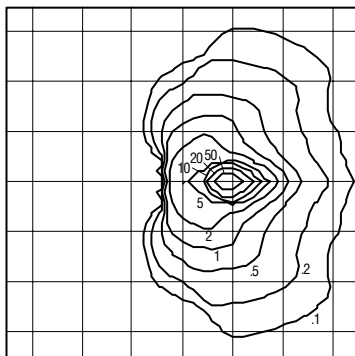


IP65 Rated

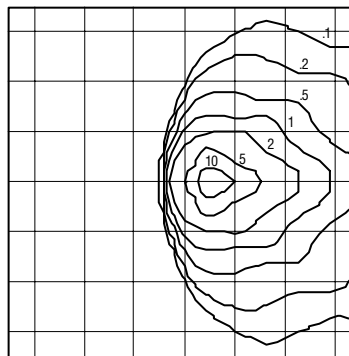
PHOTOMETRIC DATA



UF4
Cutoff Optics
400w Metal Halide
Mounting Height: 25 ft. - 45°
Lumens: 36000
NEMA: 7H x 6V



UF4
Spot Optics
400w Metal Halide
Mounting Height: 25 ft. - Tilt: 45°
Lumens: 36000
NEMA: 2H x 3V



UF4
General Purpose Optics
400w Metal Halide
Mounting Height: 25 ft. - 45°
Lumens: 36000
NEMA: 6H x 6V

CONVERSION DATA

| Mounting Height | | Wattage (MH) | |
|-----------------|------|--------------|------|
| 20 | 1.56 | 250 | 0.69 |
| 25 | 1 | 400 | 1 |
| 30 | 0.69 | | |

OPTIONS & ACCESSORIES

Options

- L=** Lamped
- BLANK=** General-Purpose Reflector
- C=** Cutoff Reflector
- S=** Spot Reflector
- PCB=** Button Photo Control
- TLR=** Twist Lock Receptacle with Shorting Cap
- TLP=** Twist Lock Receptacle with Photo Control
- FS=** Fusing

Accessories

- GP4GS=** Visor
- GP4WG=** Wire Guard
- GP4VS=** Vandal Shield



2345 Vauxhall Road - P.O. Box 129
Union, NJ 07083
800-334-2212
www.exceline.com - www.ufflood.com