

Type No. _____

Catalog No. _____

Job. Name _____

UF™ Series

UF5 X-Large Architectural Flood

APPLICATIONS

- The UF Series is an architectural floodlight luminaire designed as a series of five distinctly sized fixtures for general purpose flood and spot illumination
- Applications include security, area, accent, facade, recreational fields, flagpole, sign lighting and landscape lighting

CONSTRUCTION

- Precision die-cast aluminum construction body
- One-piece die-cast hinged aluminum door
- Lens screws are specially designed captive stainless steel screws
- Duraplex II dark bronze polyester powder finish is standard
- Available in a variety of designer colors (consult factory)
- Extruded silicone gasket
- Available with wire guards and glare shields

ELECTRICAL

- Metal halide or high pressure sodium source with magnetic ballast
- Integral heat sink ensures cool operation
- BT56 lamps for metal halide and E25 lamps for high pressure sodium

OPTICS

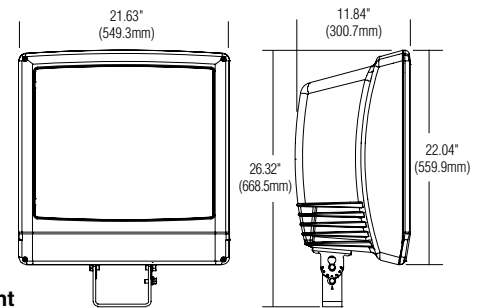
- General purpose, spot and cut-off optical distribution. Specify with correct option code listed on back page.
- Hinged door frame with clear tempered glass lens
- Hydro-formed reflector system provides uniform distribution

MOUNTING

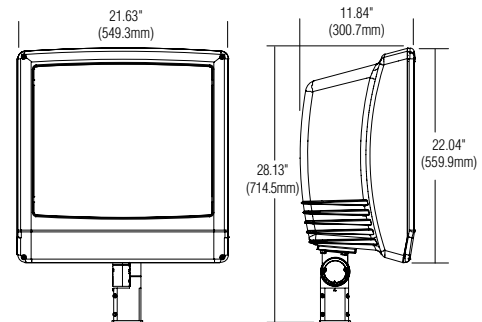
- Available with trunnion (IP65 and UL) and slipfitter (UL) mounting (consult factory for IP65 slipfitter)
- The UF Series can be angled for indirect/accent lighting
- Unit can be aimed above or below horizontal
- Low EPA rating of 2.63 sq. ft.

WARRANTY/LISTINGS

- IP65 Rated (trunnion mount only) for extra protection against water, dust and debris
- UL wet location listed for above- or below-horizontal aiming
- Published 5-year limited warranty
- Suitable for ground mounting



Trunnion Mount



Tenon Mount

Ordering Guide Example: UF5T1000MAL-5

UF	5	T	1000	MA		—	5
						—	

Series	Size	Mounting	Wattage	Lamp Source	Options	Voltage
UF	5=X-Large	T=Trunnion (IP65 & UL) S=2-3/8" Tenon Slipfitter (UL)	1000=1000w 1500=1500w	MA=Metal Halide (CWA) ¹ LX=High Pressure Sodium ² (HX-HPF or CWA)	See Back Page for Distribution and other Options	5=480v 8=120v - 277v
¹ MA (1000w, 1500w)						
² LX (1000w)						

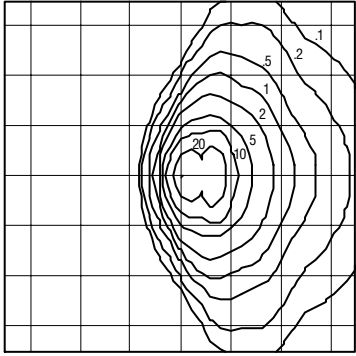


IP65 Rated

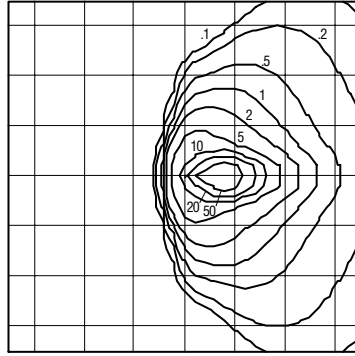
Product information is subject to change without notice



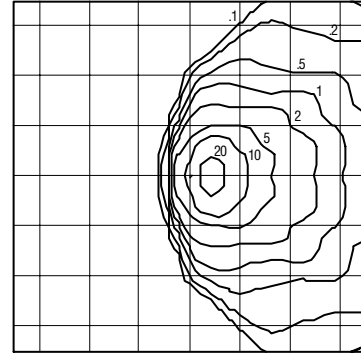
PHOTOMETRIC DATA



UF5
Cutoff Optics
1000w Metal Halide
Mounting Height: 30 ft. - 45°
Lumens: 110000
NEMA: 7H x 6V



UF5
Spot Optics
1000w Metal Halide
Mounting Height: 30 ft. - 45°
Lumens: 110000
NEMA: 3H x 4V



UF5
General Purpose Optics
1000w Metal Halide
Mounting Height: 30 ft. - 45°
Lumens: 110000
NEMA: 6H x 6V

CONVERSION DATA

Mounting Height	Wattage (MH)
25	1.44
30	1
35	0.73
40	0.56

OPTIONS & ACCESSORIES

Options

- L= Lamped
- BLANK**= General-Purpose Reflector
- C= Cutoff Reflector
- S= Spot Reflector
- PCB= Button Photo Control
- TLR= Twist Lock Receptacle with Shorting Cap
- TLP= Twist Lock Receptacle with Photo Control
- FS= Fusing

Accessories

- GP5GS= Visor
- GP5WG= Wire Guard



2345 Vauxhall Road - P.O. Box 129
Union, NJ 07083
800-334-2212
www.exceline.com - www.ufflood.com